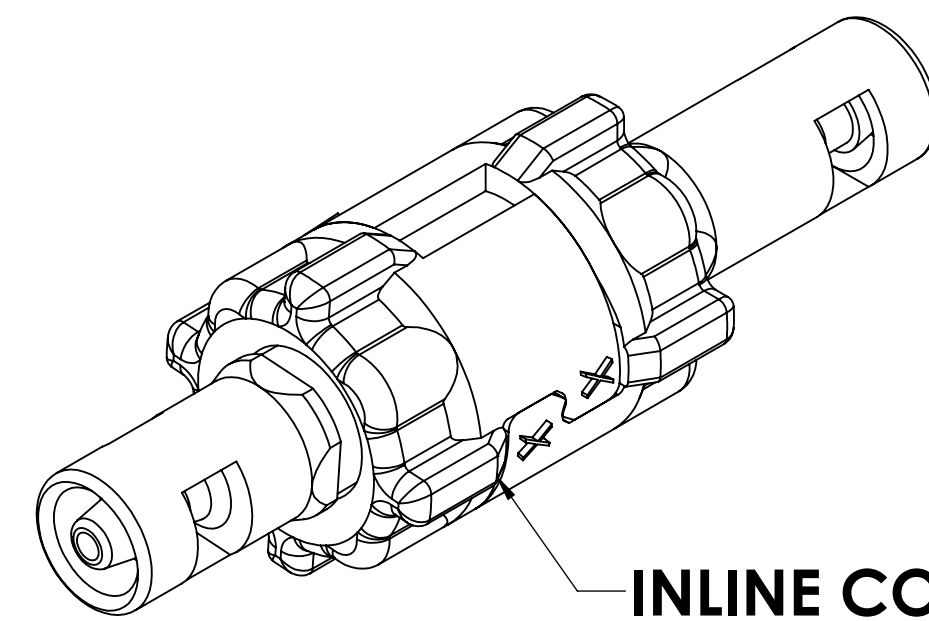
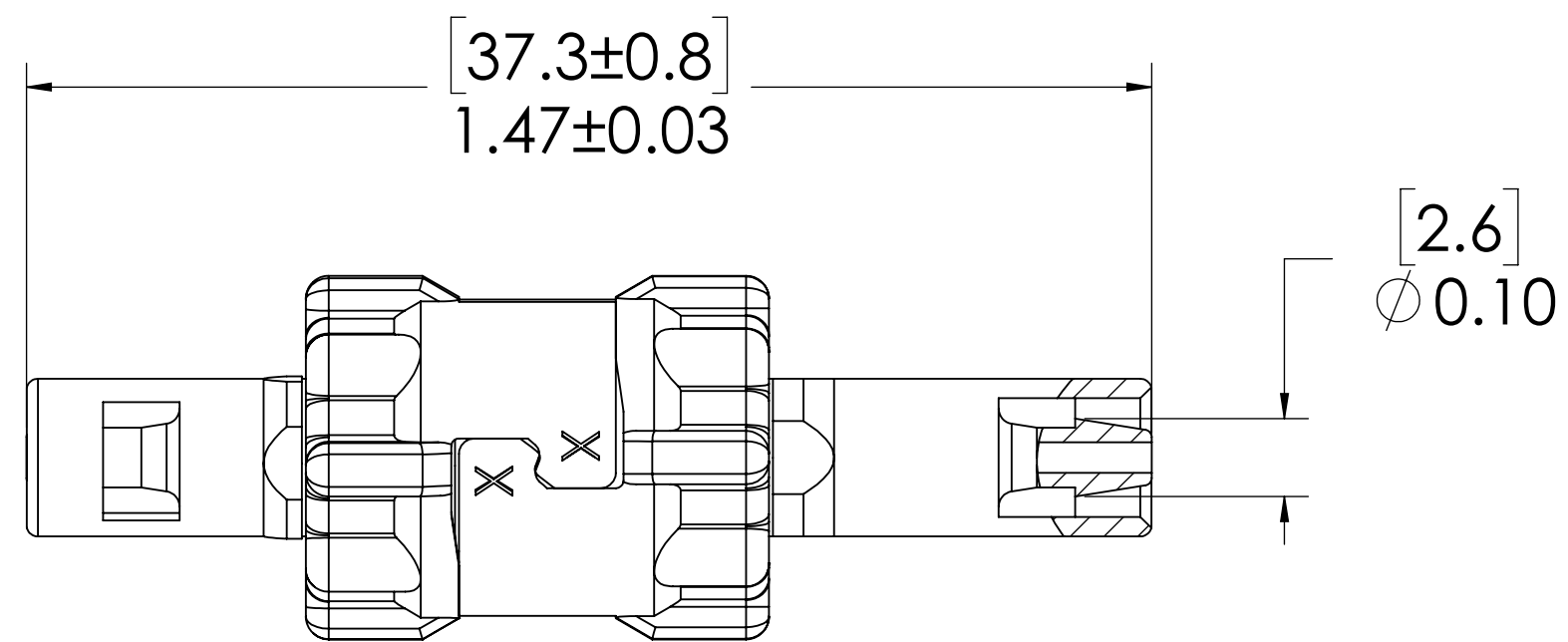
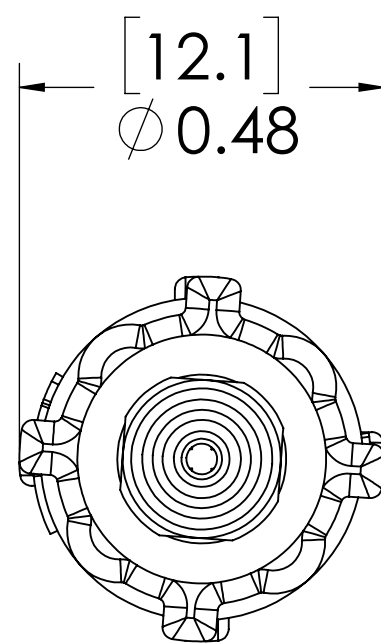


REVISIONS						
SHEET	ZONE	REV.	ECO	DESCRIPTION	DATE	APPROVED
1	ALL	A	50307	INITIAL RELEASE	2/18/2020	HRC




**INLINE COUPLING
(ACETAL)**



NOTES:

1. MATERIAL: ACETAL
2. COLOR: BLACK
3. O-RING MATERIAL: BUNA-N
4. O-RINGS LUBRICATED WITH FOOD GRADE SILICONE OIL, 350 CST.

FOR REFERENCE ONLY

<small>UNLESS OTHERWISE SPECIFIED: DIMENSIONS ARE IN INCHES TOLERANCES: FRACTIONAL ± 1/32 ANGULAR: MACH ± 0.5 BEND ± 2 ONE PLACE DECIMAL ± 0.1 TWO PLACE DECIMAL ± 0.01 THREE PLACE DECIMAL ± 0.005 TWO PLACE DUAL (mm) [± 0.12]</small>	DRAWN	RDA	1/13/2020	 PART NO: 10ACV2-01BLK DESCRIPTION: LinkTech 10AC Series Straight Coupling, Valved, 1/16" HB, Black Acetal
	CHECKED	HRC	1/13/2020	
	ENG APPR.	HRC	1/18/20	
	MFG APPR.	BDB	1/18/20	
<small>PROPRIETARY AND CONFIDENTIAL</small> <small>THE INFORMATION CONTAINED IN THIS DRAWING IS THE SOLE PROPERTY OF LINKTECH LLC. ANY REPRODUCTION OR DISCLOSURE IN PART OR AS A WHOLE WITHOUT THE WRITTEN PERMISSION OF LINKTECH LLC IS STRICTLY PROHIBITED.</small>	Q.A.	LS	1/18/20	<small>SCALE: NTS</small> <small>WEIGHT:</small> <small>SHEET 1 OF 1</small>
<small>COMMENTS:</small>		<small>REV</small> A		<small>SIZE</small> <small>DWG. NO.</small> C 10AC100114